

All-purpose Float Switch of Compact-size

# SMALL TYPE FLOAT SWITCH



**Ideal for a small tank!!**  
**Highly sophisticated model of Compact Float Switch**  
**applicable to multipurpose!!**

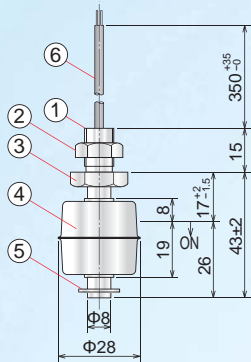
ONE-POINT-MEASUREMENT

Material: Stainless Steel

RFS-2

Standard Type

Temperature  
MAX.120°C



No.	Parts name	Material	Qty
1	Process Connection	G 1/8B	
2	Nut	SUS304	1
3	Main body	SUS304	1
4	Float	SUS304	1
5	Stopper	SUS304	1
6	Lead wire	AWG22	2

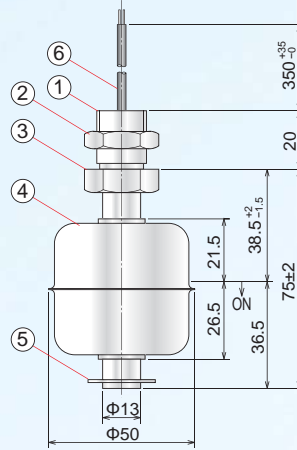
(Weight: About 36g)



RFS-6

High Temperature(Heat-proof) Type

Temperature  
MAX.200°C



No.	Parts name	Material	Qty
1	Process Connection	G 3/8B	
2	Nut	SUS304	1
3	Main body	SUS304	1
4	Float	SUS304	1
5	Stopper	SUS304	1
6	Lead wire	AWG22	2

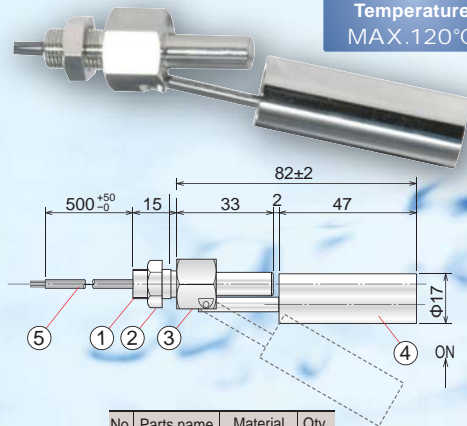
(Weight: About 106g)



RFS-11A

Horizontal-mounting Type

Temperature  
MAX.120°C



No.	Parts name	Material	Qty
1	Process Connection	G 1/8B	
2	Nut	SUS304	1
3	Main body	SUS304	1
4	Float	SUS304	1
5	Lead wire	AWG22	2

(Weight: About 48g)

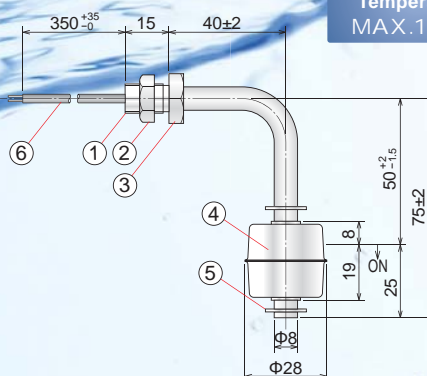


SMALL TYPE  
FLOAT SWITCH

RFS-4

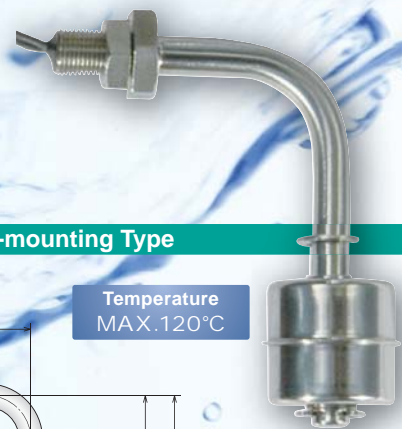
L-shape Horizontal-mounting Type

Temperature  
MAX.120°C



No.	Parts name	Material	Qty
1	Process Connection	G 1/8B	
2	Nut	SUS304	1
3	Main body	SUS304	1
4	Float	SUS304	1
5	Stopper	SUS304	1
6	Lead wire	AWG22	2

(Weight: About 47g)



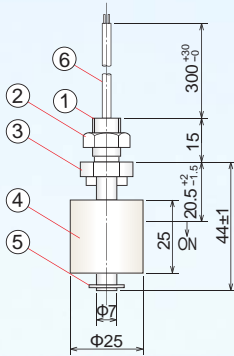
# ONE-POINT-MEASUREMENT

**Material: Polypropylene**

## MFS17-C

**Standard Type**

Temperature  
MAX. 80°C



No.	Parts name	Material	Qty
1	Process Connection	G 1/8B	
2	Protective tube	Vinyl	1
3	Nut	P.P.	1
4	Main body	P.P.	1
5	Float	P.P. Foamed	1
6	Stopper	SUS304 (P.P.)	1
7	Lead wire	AWG22	2

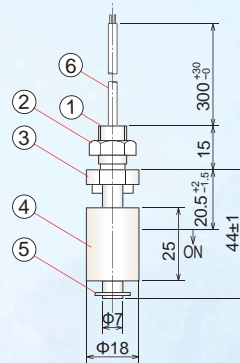
(Weight: About 15g)



## MFS17-D

**Compact Float Type**

Temperature  
MAX. 80°C



No.	Parts name	Material	Qty
1	Process Connection	G 1/8B	
2	Nut	P.P.	1
3	Main body	P.P.	1
4	Float	P.P. Foamed	1
5	Stopper	SUS304 (P.P.)	1
6	Lead wire	AWG22	2

(Weight: About 12g)



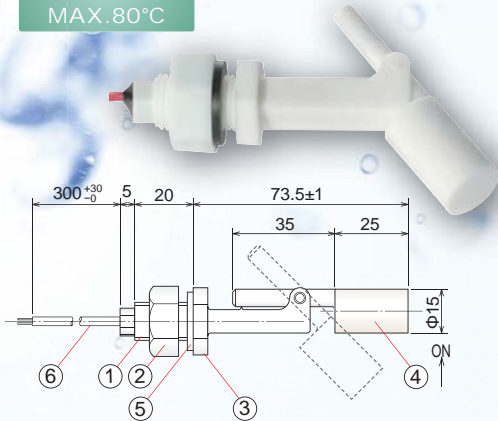
All-purpose Float Switch of Compact-size  
Abundant models can delicately respond to diversified environments.

- The simple structure makes your handling easier.
- Because it rarely gets failure, it will work for a long period.

## MFS9-N1

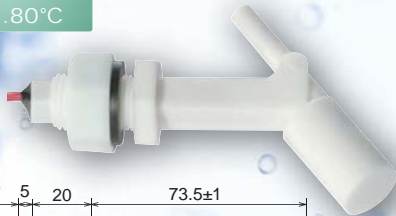
**Horizontal-mounting Type (Process Connection G 1/4B)**

Temperature  
MAX. 80°C



No.	Parts name	Material	Qty
1	Process Connection	G 1/4B	
2	Nut	P.P.	1
3	Main body	P.P.	1
4	Float	P.P. Foamed	1
5	Packing	EPT	1
6	Lead wire	AWG22	2

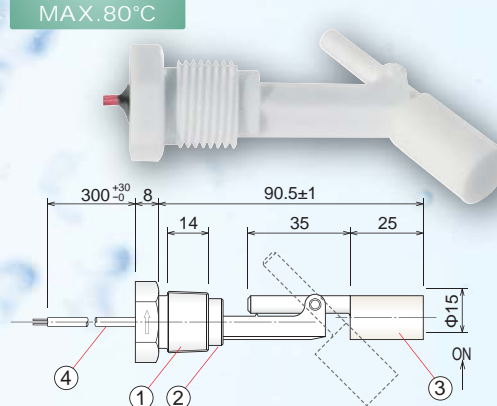
(Weight: About 17g)



## MFS10-N1

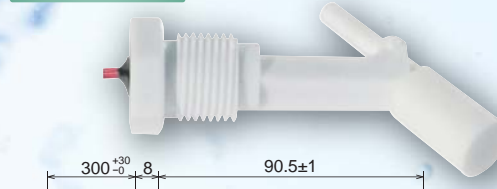
**Horizontal-mounting Type (Process Connection NPT 1/2)**

Temperature  
MAX. 80°C



No.	Parts name	Material	Qty
1	Process Connection	NPT 1/2	
2	Main body	P.P.	1
3	Float	P.P. Foamed	1
4	Lead wire	AWG22	2

(Weight: About 21g)





## MULTI-POINT MEASUREMENT

With Terminal box

### KS30

Material : Stainless steel

Temperature  
MAX. 100°C



Process Connection	Flange JIS5K32A SUS304
Float	Φ30*30 SUS304
Stopper	SUS304
Liquid Density	Over 0.75
Max Switching Capacity	AC50VA DC50W

(Weight : about 1.7 kg)

### KS30TH

Material : Stainless steel

Temperature  
MAX. 200°C



Process Connection	Flange JIS5K50A SUS304
Float	Φ51*40 SUS316
Stopper	SUS304
Liquid Density	Over 0.65
Max Switching Capacity	220VAC 0.5A 110VDC 0.3A

(Weight : about 2.9 kg)

### KSPB

Material : Stainless steel

Temperature  
MAX. 100°C



Process Connection	R1-1/4 SUS304 equivalent
Float	Φ30*30 SUS304
Stopper	SUS304
Liquid Density	Over 0.75
Max Switching Capacity	AC50VA DC50W

(Weight : about 1.1 kg)

## MULTI-POINT MEASUREMENT

Without Terminal box

### KS3

Material : Stainless steel

Temperature  
MAX. 100°C



Process Connection	M12*P1.25 Screw SUS304
Float	Φ30*30 SUS304
Stopper	SUS304
Liquid Density	Over 0.75
Max Switching Capacity	AC50VA DC50W

(Weight : about 535g)

### KV3

Material: PVC

Temperature  
MAX. 50°C



Process Connection	M20*P2.5 Screw PVC
Float	Φ44*25 PVC
Stopper	PVC
Liquid Density	Over 0.8
Max Switching Capacity	AC50VA DC50W

(Weight : about 355g)

### KP3

Material: Polypropylene

Temperature  
MAX. 100°C



Process Connection	M14*P1.5 Screw PP
Float	Φ25*27 PP
Stopper	PTFE
Liquid Density	Over 0.75
Max Switching Capacity	AC50VA DC50W

(Weight : about 185g)

### Line of business

- Rotary Paddle Type Level Switch
- Vibration Type Level Switch
- Swing Type Level Switch
- Acoustic Level Switch
- Capacitance Type Level Switch
- Capacitive Proximity Sensor
- Capacitance Type Level Indicator
- Diaphragm Type Level Switch
- Tilt Switch
- Leak Type Level Switch
- Microwave Switch
- Sounding Bob Type Level Indicator
- Flow Switch
- Conductance Type Level Switch
- Float Switch
- Float Type Level Indicator
- Ultrasonic Type Level Indicator
- Equipments For Conveyor Lines
- Dust Monitor System
- Zirconia Oxygen Analyzer
- Laser Type Level Indicator
- RADAR Type Level Indicator
- Ultrasonic Flow meter

General Manufacturer of Level Controllers for Powder, Granules, and Liquid

**KANSAI Automation Co., Ltd.**

Headquarters :  
2-14, Togano-cho, Kita-ku, Osaka 530-0056, Japan  
TEL. 81-6-6312-2071 FAX. 81-6-6314-0848  
e-mail: info@kansai-automation.co.jp

<http://www.kansai-automation.co.jp>

**Tokyo Branch:** 1-29-6, Hamamatsu-cho, Minato-ku, Tokyo 105-0013, Japan  
TEL. 81-3-5777-6931 FAX. 81-3-5777-6933

**Nagoya Office:** 3-10-17, Uchiyama, Chigusa-ku, Nagoya 464-0075, Japan  
TEL. 81-52-741-2432 FAX. 81-52-741-1588

**Hiroshima Office:** 13-11, Noborimachi, Naka-ku, Hiroshima 730-0016, Japan  
TEL. 81-82-222-1555 FAX. 81-82-222-1556

**Kyushu Office:** 1-1-21, Komemachi, Kokura Kita-ku, Kitakyushu 802-0003, Japan  
TEL. 81-93-511-4741 FAX. 81-93-511-4580



\*Please be sure to read USER'S GUIDE, Installation & Operation Instructions before using the instrument.

\*The specifications herein may be subject to change without advance notice.

Agent

**SCIENCE GATE**  
Your Automation Partner



**SCIGATE AUTOMATION (S) PTE LTD**

No.1 Bukit Batok Street 22 #01-01 Singapore 659592  
Tel: (65) 6561 0488 Fax: (65) 6562 0588  
Email: sales@scigate.com.sg Web: www.scigate.com.sg  
Business Hours: Monday - Friday 8.30am - 6.15pm